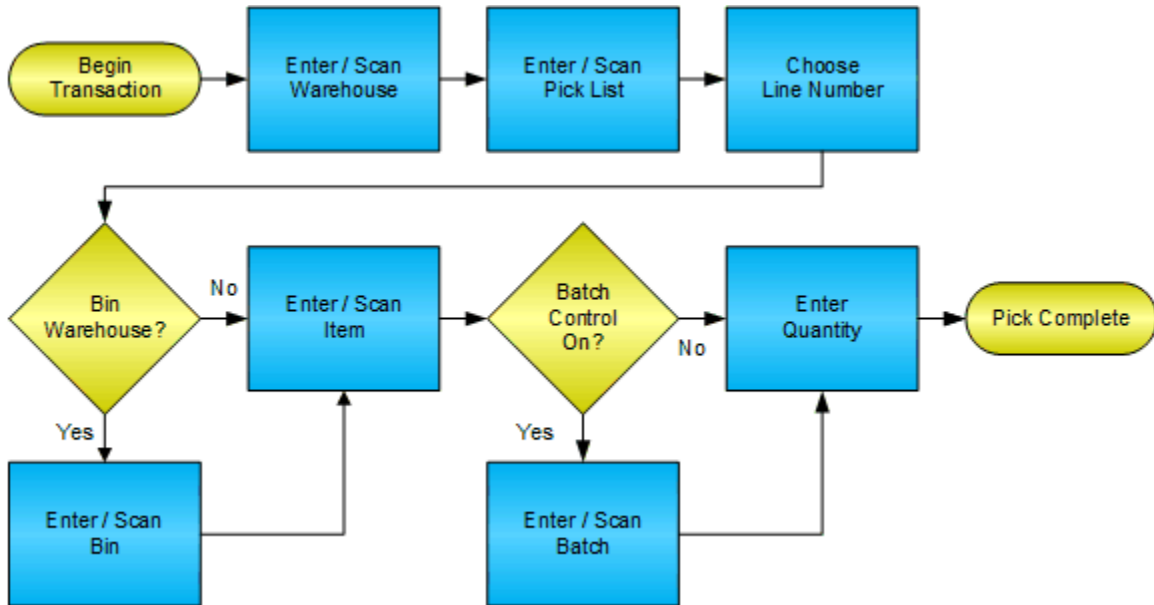


Sales Order Pick Confirmation



License Agreement

All information contained in this document is the intellectual property of RFgen Software, a division of the DataMAX Software Group, Inc. This document may not be published, nor used without the prior written consent of RFgen Software. Use of the RFgen Software Open Source code is at all times subject to the DataMAX Software Group Open Source Licensing Agreement, which must be accepted at the time the source code is installed on your computer system. For your convenience, a text copy of the DataMAX Software Group Open Source Licensing Agreement is also loaded (and may be printed from) your RFgen-based system.

Requirements

- RFgen Version 5.0 or later

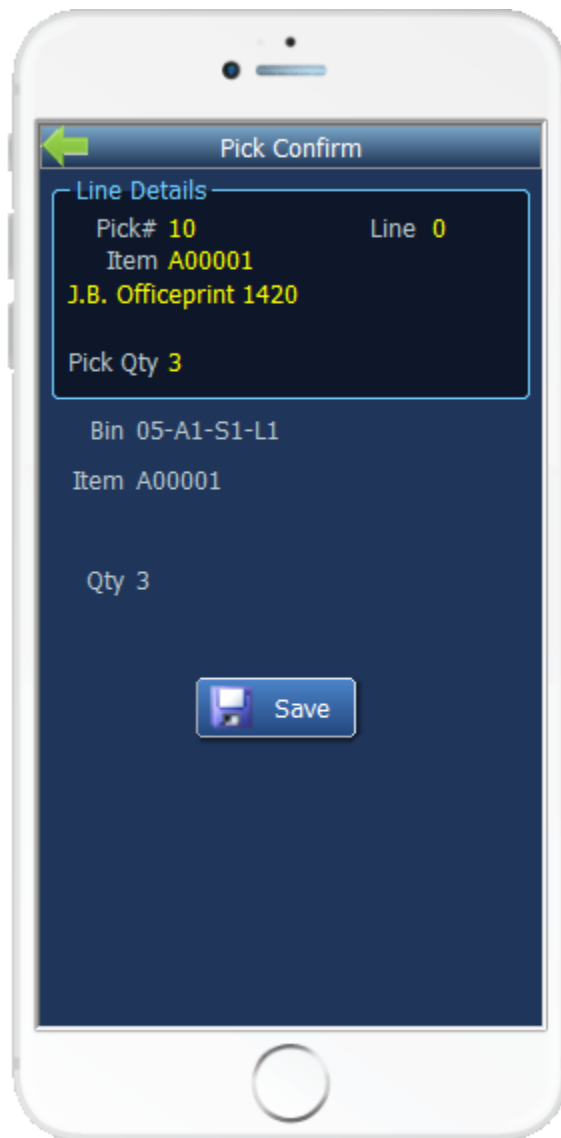
Table of Contents

PICK CONFIRMATION	3
✓ VALIDATIONS	5
✓ EDITS	5
⇨ FUNCTION KEYS	5
CONSIDERATIONS	6
SAP BUSINESS ONE PROGRAMS – REFERENCE	7
BASIC TEST SCRIPT	8
TEST SCRIPT DESCRIPTION: SO PICK CONFIRMATION	9
EXECUTION PROCEDURES	9
OVERALL TEST CASE RESULTS	10

Pick Confirmation



Page 1



Page 2

This transaction identifies the lines on a Pick List and displays the lines for the user to pull inventory from the appropriate locations. Additionally, it updates the status of the items so that pack confirmation can occur.

The following conditions apply to the RFgen implementation for the Pick Confirmation transaction within the SAP Business One environment.

Note: any of these parameters may be easily adjusted to meet the unique requirements of your company.

✓ Validations

Prompt	Method of Validation
Warehouse	OWHS
Pick List	OPKL
Bin	OBIN
Item	Must be the same as the displayed suggestion
Batch	OBTQ
Quantity	

✓ Edits

Condition	Special Circumstance
Default Warehouse	User Defined
Quantity not greater than Quantity on Hand	
Quantity entered < = 0	

↔ Function Keys

Key	Function
F1	Show Menu
F4	Exit
F5	Search

Considerations

1. Does Warehouse default based on user?
2. Is batch or serial control used for materials?

Basic Test Script

1. Record quantities on hand for the Warehouse(s), Item(s) and their associated batches that you will perform the Pick Confirmation on.
2. Create and document the following scenarios:
 - a. Attempt to select a pick list that is not at the proper status. An error message should appear.
 - b. Attempt to pick a different item than selected.
 - c. Select pick lists eligible for entry and process through RFgen. Test for over shipment of materials if allowed.
3. View the results and see that the quantity on hand updated to the correct amounts on the processed transactions.

Test Script Description: SO Pick Confirmation

RFgen Input Requirements

Before you begin testing, ensure, for the combination of warehouse(s) and item(s) you will be testing, that the following is setup in SAP Business One.

- a. Pick List
- b. Quantity Available
- c. Batch/Bin (if used)

Execution Procedures

ID	Test Case	Expected Result	Pass	Fail
1	Type in a valid warehouse _____ Press the ENTER key	RFGEN will validate and accept the warehouse entered.		
2	Type in a valid Pick List _____ Press the ENTER key	RFGEN will validate and accept the Pick List entered.		
3	Type in a valid Bin _____ Press the ENTER key	RFGEN will validate and accept the bin entered		
4	Type in a valid Item _____ Press the ENTER key	RFGEN will validate and accept the item entered		
5	Type in a valid order quantity _____	RFGEN will validate and accept the quantity entered		
6	Type in an invalid warehouse _____ Press the ENTER key	RFGEN will validate the warehouse entered and display an error message – the field will continue to error out until corrected		
7	Type in an invalid Bin _____ Press the ENTER key	RFGEN will validate and display an error message – the field will continue to error out until corrected		
8	Type in an invalid item _____ Press the ENTER key	RFGEN will validate and display an error message – the field will continue to error out until corrected		
9	Type in an invalid order quantity _____	RFGEN will validate and display an error message – the field will continue to error out until corrected		
10	Press the “F5” key with the cursor in the warehouse field	RFGEN will display a list of warehouses		

11	At the RFGEN "Save" the transaction is submitted	Confirm the pick confirmation results		
----	--	---------------------------------------	--	--

Overall Test Case Results

Pass/Fail	
Tester/Date	
RE-Tester/Date	

Actual Results	
----------------	--

Comments	
----------	--